



Submittal Data Sheet

4.0-Ton Round Flow Sensing Cassette

FXFQ48TVJU

FEATURES

- True 360° airflow distribution and three room sensors enables optimized occupant comfort and efficiency
- Optional self-cleaning filter panel to further increase efficiency and reduce maintenance costs
- Individually controlled supply air louvers for comfortable air supply
- Improved efficiency with new DC fan motor and auto logic that adjusts fan speed based on space load
- Industry leading flexibility with 23 possible airflow patterns
- Integral condensate pump with up to 26-1/2" lift
- Standard Limited Warranty: 10-year warranty on compressor and all parts

BENEFITS

- Compact design to allow for installation in small ceiling voids
- Very low sound levels increases flexibility regarding location of the unit
- Increased indoor air quality with high efficiency filter options & ventilation connection kit
- Automatic occupancy dependant Set back function to save energy





Submittal Data Sheet
4.0-Ton Round Flow Sensing Cassette
FXFQ48TVJU

PERFORMANCE

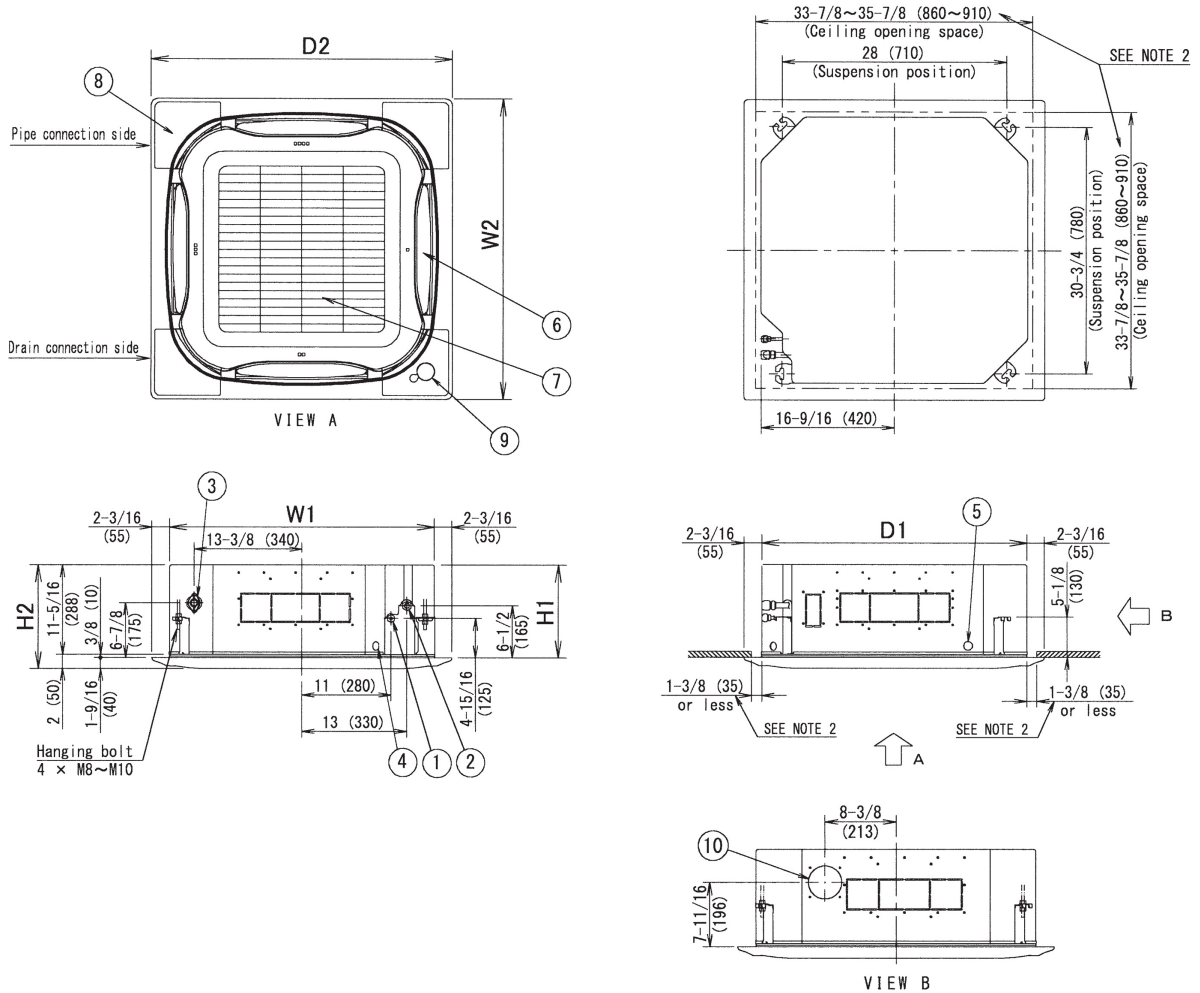
Indoor Unit Model No.	FXFQ48TVJU	Indoor Unit Name:	4.0-Ton Round Flow Sensing Cassette
Type:	Cassette	Rated Cooling Conditions:	Indoor (°F DB/WB): 80 / 67 Ambient (°F DB/WB): 95 / 75
Rated Cooling Capacity (Btu/hr):	48,000	Rated Heating Conditions:	Indoor (°F DB/WB): 70 / 60 Ambient (°F DB/WB): 47 / 43
Sensible Capacity (Btu/hr):	35,000	Rated Piping Length(ft):	
Cooling Input Power (kW):	0.220	Rated Height Separation (ft):	
Rated Heating Capacity (Btu/hr):	54,000		
Heating Input Power (kW):	0.20		

INDOOR UNIT DETAILS

Power Supply (V/Hz/Ph):	208-230 / 60 / 1	Airflow Rate (HH/H/L) (CFM):	1,218/971/742
Power Supply Connections:	L1, L2, Ground	Moisture Removal (Gal/hr):	
Min. Circuit Amps MCA (A):	1.8	Gas Pipe Connection (inch):	5/8
Max Overcurrent Protection (MOP) (A):	15	Liquid Pipe Connection (inch):	3/8
Dimensions (HxWxD) (in):	11-5/16 x 33-1/16 x 33-1/16	Condensate Connection (inch):	1-1/4
Net Weight (lb):	58	Sound Pressure (H/L) (dBA):	40/34
Ext. Static Pressure (Rated/Max) (inWg):	/	Sound Power Level (dBA):	

Submittal Data Sheet
4.0-Ton Round Flow Sensing Cassette
FXFQ48TVJU

DIMENSIONAL DRAWING



Unit : in. (mm)

ITEM	PART NAME	REMARK
1	Liquid pipe connection	φ3/8 (φ9.5) Flare connection
2	Gas pipe connection	φ5/8 (φ15.9) Flare connection
3	Drain pipe connection	VP25 (O.D. φ1-1/4 (φ32), I.D. φ1 (φ25))
4	Power supply entry hole	
5	Transmission wiring entry hole	
6	Air Outlet	
7	Air Inlet grille	
8	Corner decoration cover	
9	Sensor	Infrared presence sensor Infrared floor sensor
10	Knock out hole	φ3-15/16 (φ100)

Without panel	H1	11-3/4 (298)
	W1	33-1/16 (840)
	D1	33-1/16 (840)
With panel	H2	13-5/16 (338)
	D2	37-3/8 (950)

Notes) 1. Location of the nameplates:

- Unit body: on the control box cover.
- Decoration panel: on the panel frame at the motor side under the corner cover.

2. Make sure the spacing between the ceiling and the cassette is no more than 1-3/8" (35mm).
 MAX ceiling opening: 35-7/8" (910mm).

3. When the conditions exceed 86°F (30°C) and RH 80% in the ceiling or fresh air is inducted into the ceiling an additional insulation is required (polyethylene foam, thickness 3/8" (10mm) or more).

Note: For additional dimensional data and clearance information, refer to Engineering Data

Daikin North America LLC, 5151 San Felipe, Suite 500, Houston, TX, 77056